

COMPACT EXCAVATOR

takeuchiTM
From World First to World Leader

TB250



Operating Weight: 4,965 kg

Product Features & Specifications

ENGINE

- EU Stage III A / EPA Interim Tier 4 Emission Compliant
- Automatic Fuel Bleed System
- Double Element Air Cleaner (optional)
- Automatic Deceleration (optional)
- Engine Preheat
- High Capacity Radiator
- High Capacity Fuel Filters
- Extended Life Coolant

UNDERCARRIAGE AND FRAME

- Triple Flanged Track Rollers
- 2-Speed Travel with Automatic Shift
- High Torque Planetary Final Drive
- Heavy Duty Dozer Blade with Float (optional)
- Large Wraparound counterweight
- 400 mm Rubber Crawlers
- Steel Crawlers (400 mm / 460 mm) (optional)
- Power Angle Blade with Float (optional)

OPERATOR'S STATION

- ROPS / TOPS / OPG Level 1 Canopy / Cab
- Deluxe High Back Suspension Seat
- 2" Retractable Seat Belt
- Cab with Heat Defrost, Windshield Wiper and Washer, Skylight, AM / FM / MP3 Radio
- Head Rest
- Air Conditioner (Cab optional)
- OPG Level 1 Front Guard (Cab optional)

ELECTRICAL

- Multi-Informational Display
- Sealed Rocker Switches
- 12 volt System with 40 amp Alternator
- 2 Canopy Lights (optional)
- 2 Cab Front Lights (optional)
- 1 Cab Rear Light (optional)
- 1 Working Light on Boom
- Battery Switch (optional)
- Beacon Socket
- Hour Meter
- Travel Alarm (optional)
- Horn

HYDRAULIC

- Variable Displacement Pump
- Straight Travel Circuit
- Hydraulic Joystick Controls
- Service Port 1 with on/off Switch
- High Flow for Service Port 1 (optional)
- Foot Pedal Control for Service Port 1 (optional)
- Proportional Control for Service Port 1 (optional)
- Detent for Service Port 1 (optional)
- Proportional Control for Service Port 2 (optional)
- Service Port 3 for Quick Hitch (optional)
- Hydraulic Selector Valve (1-way / 2-way)
- Pilot Accumulator (optional)
- Air Breather, Hydraulic Tank (optional)

WORKING EQUIPMENT

- Independent Mono Boom Swing
- Cushioned Boom and Swing Cylinder
- 1,450 mm Arm
- 1,600 mm Arm (optional)
- 1,760 mm Arm (optional)
- Arm and Boom Holding Valve with Lift Alarm (optional)
- Pattern Change Valve (ISO or G) (optional)
- Boom Swing Stopper (optional)



Spacious Cabin



Automotive Styled Interior

TOUGH, POWERFUL, RELIABLE



2-Speed Travel w/ Auto Shift



Wraparound Counterweight



Triple Flanged Track Rollers



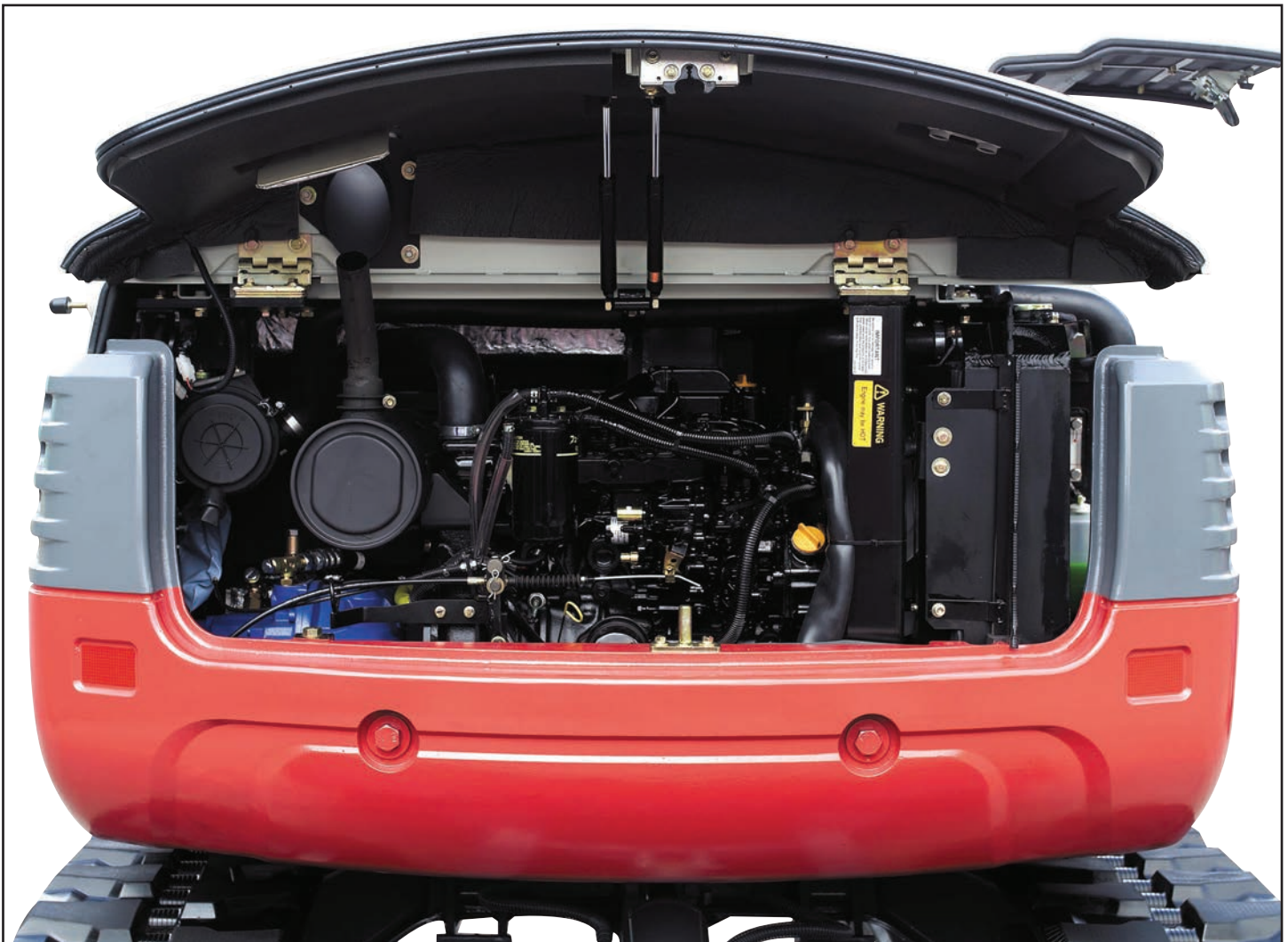
Hydraulic Pilot Controls

Delivering outstanding performance and versatility, the TB250 is one of Takeuchi's most popular conventional tail swing excavators.

The TB250 offers steel construction and lockable service access panels, an automotive styled interior, and powerful hydraulic system. The TB250 has excellent arm and bucket breakout force, reach and lifting capacity for maximum productivity making it a great choice for the most demanding applications.

Additional features include an automatic fuel bleed system, heavy duty cooling module, and a large wraparound counterweight that protects engine components from damage.

The interior provides excellent operator comfort with pilot operated controls, travel controls with large foot pedals, easy to reach rocker switches and a throttle lever control.



Large lockable service hoods provide vandalism protection and outstanding maintenance access.

OPERATING PERFORMANCE

Operating Weight - Cab	4,965 kg
Operating Weight - Canopy	4,825 kg
Bucket Capacity (Heaped)	0.141 m ³
Slew Speed	9.8 min ⁻¹
Travel Speed	
1st	2.8 km/h
2nd	5.2 km/h
Gradeability	30°
Ground Pressure - Cab	28.1 kPa
Ground Pressure - Canopy	27.3 kPa
Maximum Bucket Breakout Force	37.2 kN
Maximum Arm Digging Force	25.9 kN
Traction Force	56.1 kN
Boom Swing Angle (Left/Right)	75° / 60°

ENGINE

Model	Yanmar / 4TNV88
Rated Output (ISO 14396)	29.5 kW / 2,400 min ⁻¹
Maximum Torque	143.4 Nm / 1,440 min ⁻¹
Displacement	2,190 ml
Alternator	12 V - 0.48 kW
Battery (IEC 60095-1)	12 V - 115 A·h

FLUID CAPACITY

Engine Lubrication	7.4 L
Cooling System	12.4 L
Fuel Tank Capacity	74.0 L
Hydraulic Reservoir Capacity	52.0 L
Hydraulic System Capacity	88.0 L

HYDRAULIC SYSTEM

P1, P2	Variable Displacement Pump
Flow Rate	58.3 L/min
Relief Pressure	21.0 MPa
P3	Gear Pump
Flow Rate	38.9 L/min
Relief Pressure	19.6 MPa
Service Port 1	
Flow Rate	58.0 L/min
Flow Rate - High Flow	97.0 L/min
Hydraulic Pressure	21.0 MPa
Service Port 2	
Flow Rate	39.0 L/min
Hydraulic Pressure	19.6 MPa
Service Port 3	
Hydraulic Pressure	19.6 MPa

SAFETY and HEALTH

Vibration Levels

Hand / Arm	≤ 2.5 m/s ²
Body	≤ 0.5 m/s ²

Noise Level

Sound Power Level	L _{WA} 96 dB
-------------------	-----------------------



Multi- Informational Display



Main Boom Cylinder Guard

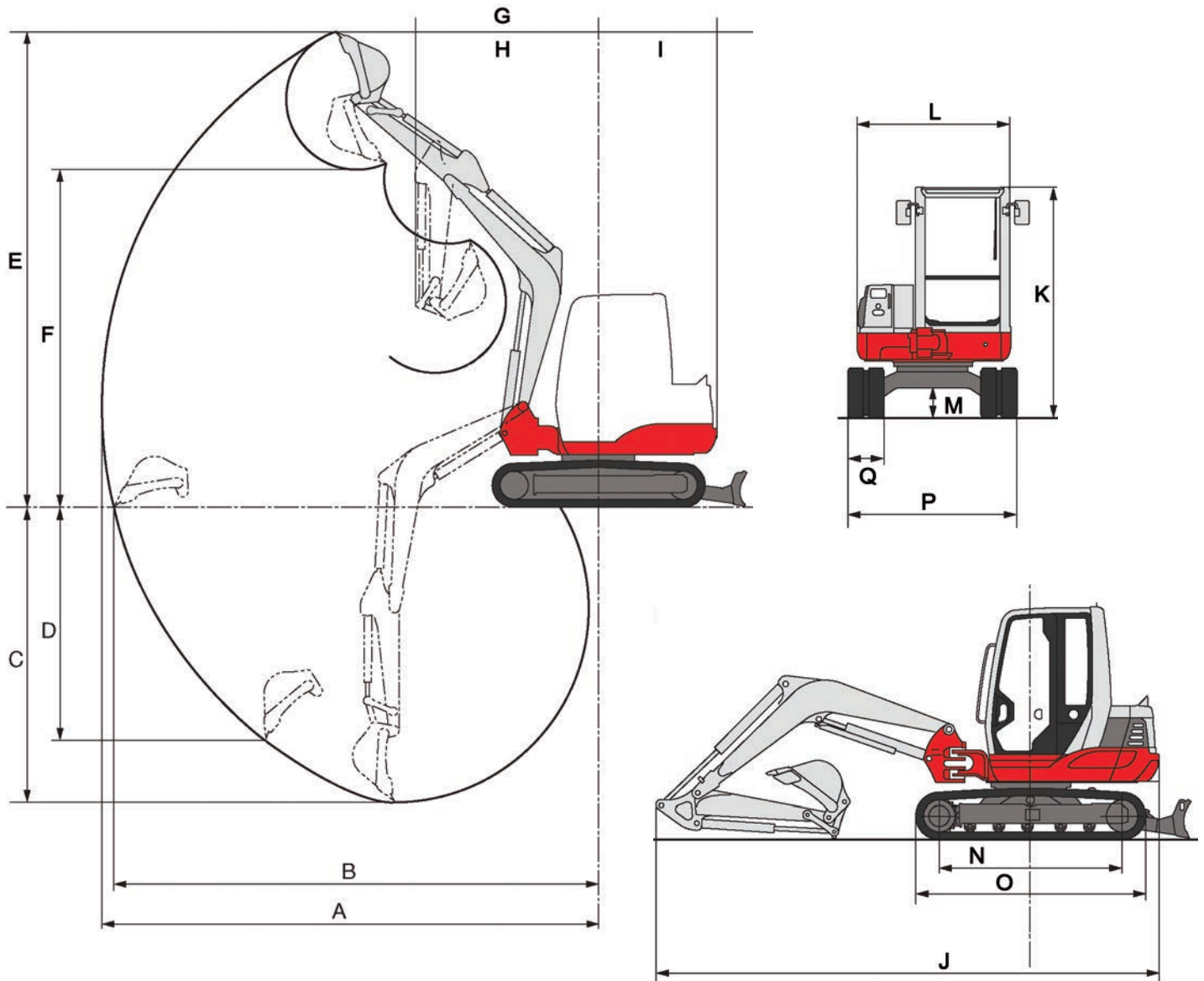


Auxiliary Hydraulic Lines



Tilt-Up Cabin

TB250 Compact Excavator



MACHINE DIMENSIONS	1,450 mm ARM	1,600 mm ARM	1,760 mm ARM
A Maximum Reach	5,850 mm	5,990 mm	6,135 mm
B Maximum Reach at Ground Level	5,705 mm	5,850 mm	5,995 mm
C Maximum Digging Depth	3,475 mm	3,625 mm	3,785 mm
D Maximum Vertical Digging Depth	2,725 mm	2,860 mm	2,990 mm
E Maximum Height of Cutting Edge	5,625 mm	5,715 mm	5,800 mm
F Maximum Dumping Height	3,990 mm	4,085 mm	4,175 mm
G Front Swing Radius	2,170 mm	2,195 mm	2,235 mm
H Front Swing Radius with Boom Offset	1,705 mm	1,730 mm	1,765 mm
I Slew Radius	1,435 mm	1,435 mm	1,435 mm
J Overall Length	5,470 mm	5,510 mm	5,550 mm
K Overall Height	2,515 mm	2,515 mm	2,515 mm
L Upper Structure Overall Width	1,690 mm	1,690 mm	1,690 mm
M Ground Clearance	335 mm	335 mm	335 mm
N Crawler Base	1,985 mm	1,985 mm	1,985 mm
O Crawler Overall Length	2,500 mm	2,500 mm	2,500 mm
P Crawler Overall Width	1,840 mm	1,840 mm	1,840 mm
Q Crawler Shoe Width	400 mm	400 mm	400 mm



© 2017 Takeuchi MFG. Co., Ltd. All Rights Reserved. In accordance with our established policy of continued improvement, specifications and features are subject to change without notice. Pictures may show options other than standard equipment.

FORM: TB250 Compact Excavator Spec Sheet - Mar. 2018

TAKEUCHI[™]
From World First to World Leader