

HYDRAULIC EXCAVATOR

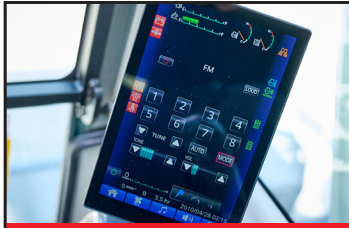
takeuchi
From World First to World Leader

TB3150R



Operating Weight: 16,450kg

TOUGH, POWERFUL, RELIABLE



8" Touch Screen Display



Intuitive Operation



Multi Functional Grips (OPT)



Takeuchi Access Management

Building upon the renowned strengths and proven performance of its predecessor, the TB2150R, the new TB3150R delivers a powerful evolution, engineered for demanding applications. It retains the qualities the market values while significantly elevating operational efficiency, performance, and comfort. Its robust fixed boom, a core characteristic maintained from its predecessor, ensures powerful and precise operation across a wide range of applications.

The TB3150R boasts significantly increased hydraulic horsepower. This crucial upgrade boosts performance in simultaneous operations, particularly those requiring high pressure.

Advancements in design and operator well-being are clear throughout the TB3150R. Its interior and exterior designs from our 3 Series have been seamlessly integrated, creating a refined, comfortable, and highly functional operating environment. To maximize operator comfort and control, the TB3150R features a large 8-inch color touch screen display, optional multi-functional grips for tailored operation, sophisticated integrated electronic control for specific operations, improved cab visibility, and height-adjustable handrails for transport flexibility.

Finally, the TB3150R sets a new standard for security with the Takeuchi Access Management System. This groundbreaking keyless start feature assigns a unique user ID to each machine. Operators can start a machine using a registered passcode or an optional RFID key, ensuring only authorized personnel can operate it, thus providing invaluable peace of mind and robust protection.



Completely Redesigned Automotive Styled Interior with Intuitive Operation

Product Features

ENGINE

- EU Stage V / EPA Tier 4 Emission Compliant
- DOC+DPF+SCR Exhaust After Treatment
- Automatic Fuel Bleed System
- Double Element, Air Cleaner
- Automatic Deceleration
- Working Modes: Standard and ECO
- Bi-metal Clutch Fan Engagement for Radiator
- Fuel Supply Pump w/ Reel System
- Engine Safety Start System on the Left Console
- Engine Auto Stop

ELECTRICAL

- 8" Color Touch Screen Display
- 270 Degree Camera
- Multi-Switch Control Panel & Jog Dial Control
- EH Controls for Travel, Dozer Blade and Adjust Cylinder
- Travel Alarm
- LED Light Package
- TFM (Takeuchi Fleet Management; GPS)*
- Takeuchi Access Management System (Engine Push Start)
- LED Additional Boom Light (optional)

OPERATOR'S STATION

- Cab with Auto Air Conditioner, Windshield Wiper and Washer, Skylight with Sunshade, Rain Guard, DAB Radio with Bluetooth Hands-Free Function and USB Port (TYPE-C)
- ROPS / OPG(Top Guard, Level II)
- Hands-Free Microphone
- Air Suspension Seat with Heat
- 2" Retractable Seat Belt
- OPG Level II Front Guard (optional)

UNDERCARRIAGE AND FRAME

- Triple Flanged Track Rollers
- 2-Speed Travel with Automatic Shift
- 500 mm Rubber Crawlers
- Heavy Counterweight
- Heavy Duty Dozer Blade (optional)
- Heavy Duty Dozer Blade with Float (optional)
- Steel Crawlers (500 mm / 600 mm / 700 mm) (optional)
- 500 mm Segmented Rubber Crawlers (optional)
- Rubber Pads for 500 mm Steel Crawlers (optional)
- Check Valve, Dozer Blade (optional)

TAKEUCHI FLEET MANAGEMENT

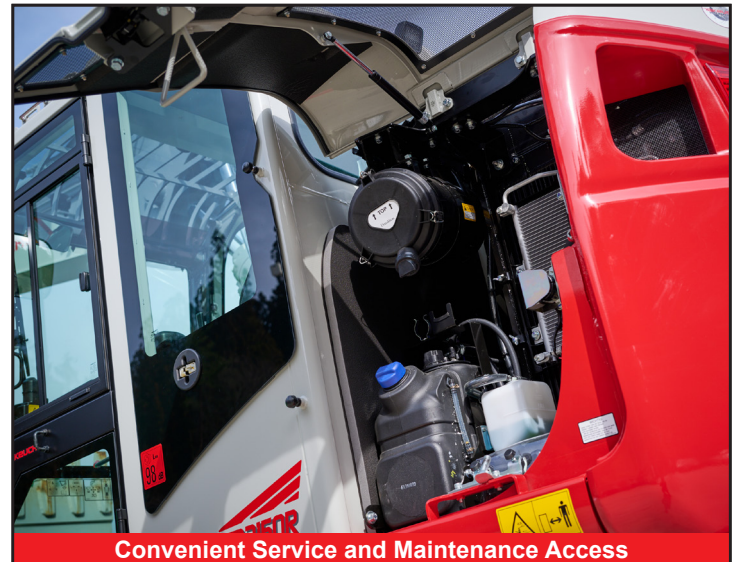
- Minimize Downtime
- Remote Diagnostics
- Utilization Tracking
- Proactive Maintenance
- Control Costs

HYDRAULIC

- Variable Displacement, Open Center Hydraulics
- Hydraulic Joystick Controls
- Proportional Control for 1st Auxiliary Hydraulic Line
- Proportional Control for 2nd Auxiliary Hydraulic Line
- 3rd Auxiliary Hydraulic Control for Quick Hitch
- Adjustable Auxiliary Flow for 1st, 2nd and 4th Auxiliary Hydraulic Lines
- Pilot Accumulator
- Proportional Control for 4th Auxiliary Hydraulic Line (optional)
- Proportional Control for 4th Auxiliary Hydraulic Line (Independent) with Multi-Functional Grips (optional)
- Auxiliary Hydraulic Line Performance Package ; Auto Tank for 1st AUX, Auto Pressure Release for 1st & 2nd AUX and Pressure Adjustment for 1st & 2nd AUX (optional)

WORKING EQUIPMENT

- Reinforcement Fixed Boom
- 2,320 mm Arm
- 2,850 mm Arm
- Arm and Boom Holding Valve with Lift Alarm
- Pattern Change Valve (ISO or G) (optional)
- 2-Piece Boom (optional)
- Adjust Cylinder Holding Valve (optional)
- Lifting Point of Bucket Linkage (optional)



* Functions may not be available in all countries, so please consult your Takeuchi dealer for details.

Product Specifications

OPERATING PERFORMANCE	Mono Boom	2-Piece Boom
Operating Weight (Rubber Crawlers)	15,875 kg	16,450 kg
Operating Weight (Steel Crawlers)	16,005 kg	16,580 kg
Bucket Capacity (Heaped)	0.45 m ³	
Slew Speed	11.0 min ⁻¹	
Travel Speed		
1st	2.9 km/h	
2nd	5.6 km/h	
Gradeability	35°	
Ground Pressure		
Rubber Crawlers	46.7 kPa	48.4 kPa
Steel Crawlers	47.7 kPa	49.4 kPa
Maximum Bucket Breakout Force	96.3 kN	
Maximum Arm Digging Force (2,320 mm Arm)	65.4 kN	
Maximum Arm Digging Force (2,850 mm Arm)	60.0 kN	
Traction Force	157.5 kN	

ENGINE	
Model	Yanmar 4TN101FHT-2STB
Rated Output (ISO 14396)	85 kW/2200 min ⁻¹
Maximum Torque	462.8 Nm/1500 min ⁻¹
Displacement	3,847 ml
Alternator	24 V-1.92 kW
Battery (IEC 60095-1)	12 V - 90 A·h x 2

FLUID CAPACITIES	
Engine Lubrication	14.3 L
Cooling System	18.0 L
Fuel Tank Capacity	240.0 L
Hydraulic Reservoir Capacity	100.1 L
Hydraulic System Capacity	225.0 L
DEF Tank Capacity	20 L

SAFETY and HEALTH	
Vibration Levels	
Hand / Arm	≤ 2.5 m/s ²
Body	≤ 0.5 m/s ²
Noise Level	
Sound Power Level	LwA 98 dB

HYDRAULIC SYSTEM	
P1, P2	Variable Displacement Pump
Flow Rate	112.0 L/min
Relief Pressure	34.3 MPa
P3	Gear Pump
Flow Rate	22.0 L/min
Relief Pressure	3.9 MPa
P4	Gear Pump
Flow Rate	55.7 L/min
Relief Pressure	23.6 MPa
1st AUX	
Flow Rate	112 L/min
Flow Rate - High Flow	224 L/min
Hydraulic Pressure	27.5 MPa
2nd AUX	
Flow Rate	55.7 L/min
Hydraulic Pressure	23.6 MPa
3rd AUX	
Hydraulic Pressure	21.0 MPa
4th AUX	
Flow Rate	55.7 L/min
Hydraulic Pressure	23.6 MPa



Fixed Boom



TFM



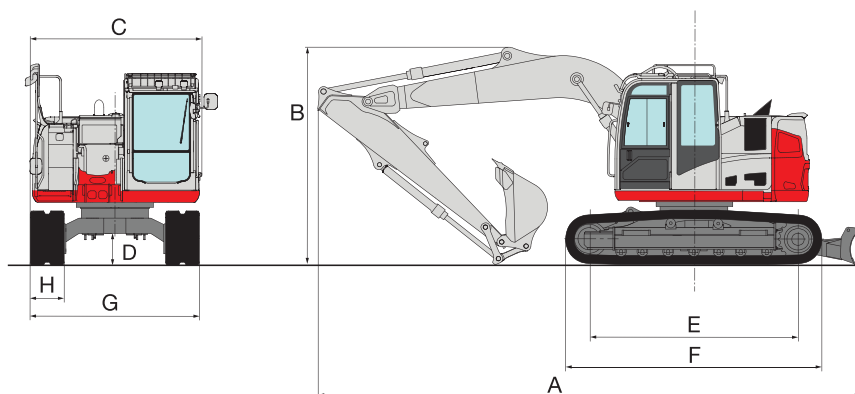
270 Degree Camera



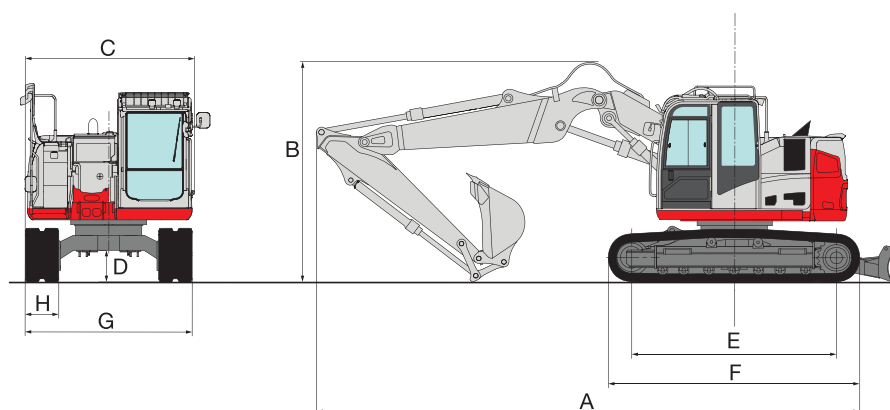
Tiltable Roof Guard

TB3150R Machine Dimensions

Mono Boom



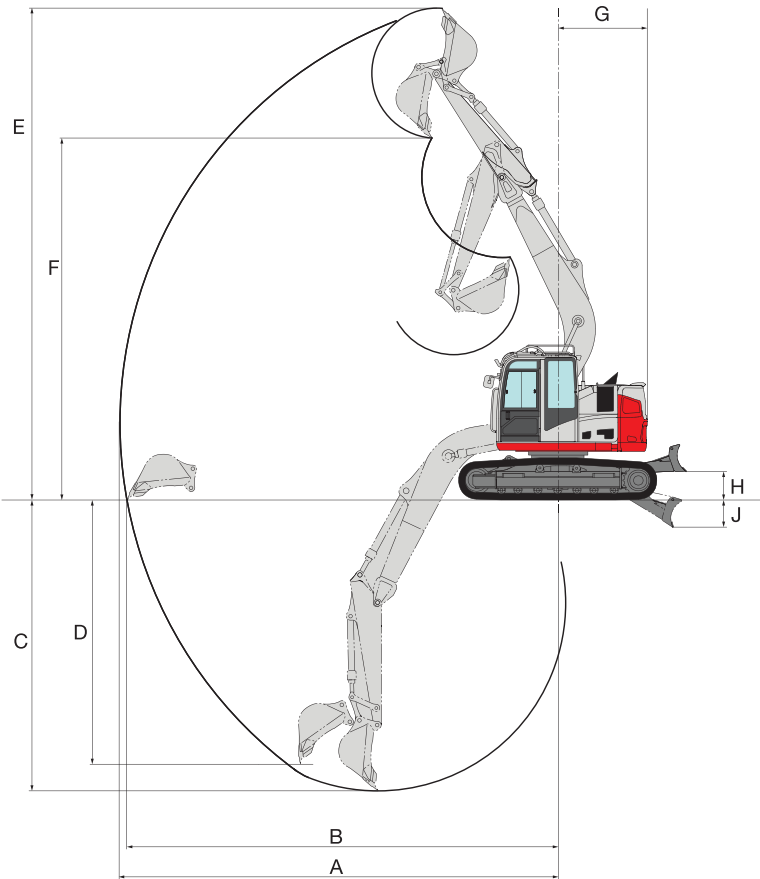
2-Piece Boom



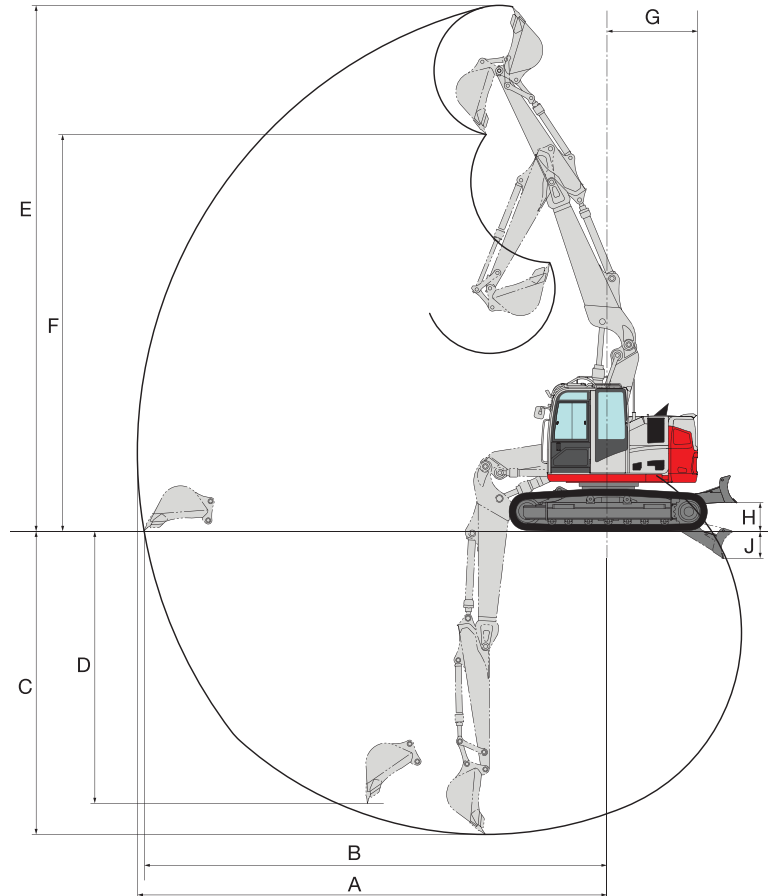
MACHINE DIMENSIONS	Mono Boom		2-Piece Boom
	2,320 mm Arm	2,850 mm Arm	
A Overall Length	7,470 mm	7,950 mm	7,920 mm
B Overall Height	2,965 mm	3,240 mm	3,090 mm
C Upper Structure Overall Width	2,530 mm	2,530 mm	2,530 mm
D Ground Clearance	475 mm	475 mm	475 mm
E Crawler Base	3,080 mm	3,080 mm	3,080 mm
F Crawler Overall Length	3,800 mm	3,800 mm	3,800 mm
G Crawler Overall Width	2,490 mm	2,490 mm	2,490 mm
H Crawler Shoe Width	500 mm	500 mm	500 mm

TB3150R Operating Dimensions

Mono Boom



2-Piece Boom



OPERATING DIMENSIONS	Mono Boom		2-Piece Boom
	2,320 mm Arm	2,850 mm Arm	
A Maximum Reach	8,330 mm	8,790 mm	8,860 mm
B Maximum Reach at Ground Level	8,195 mm	8,665 mm	8,730 mm
C Maximum Digging Depth	5,500 mm	6,030 mm	5,720 mm
D Maximum Vertical Digging Depth	4,995 mm	5,515 mm	5,130 mm
E Maximum Height of Cutting Edge	9,300 mm	9,630 mm	9,925 mm
F Maximum Dumping Height	6,845 mm	7,170 mm	7,490 mm
G Slew Radius	1,700 mm	1,700 mm	1,700 mm
H Dozer Blade Maximum Lifting Height	540 mm	540 mm	540 mm
J Dozer Blade Maximum Lowering Height	515 mm	515 mm	515 mm

© 2026 Takeuchi MFG. Co., Ltd. All Rights Reserved. In accordance with our established policy of continued improvement, specifications and features are subject to change without notice. Pictures may show options other than standard equipment.

FORM: TB3150R Excavator Spec Sheet - Apr. 2026

Takeuchi
From World First to World Leader